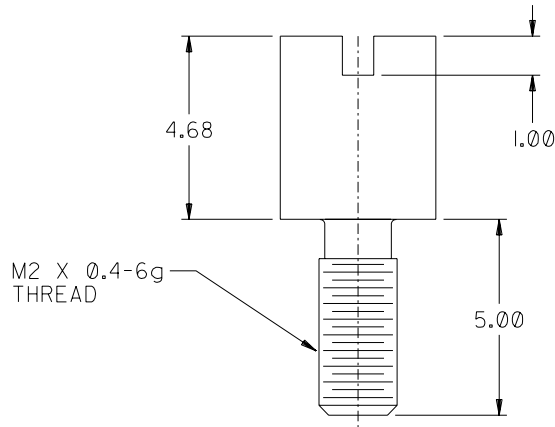
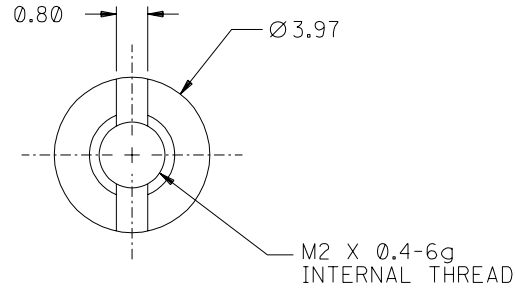


NOTES:

1. MATERIAL: HOT ROLLED STEEL.
2. FINISH: NICKEL PLATE
3. PACKAGING: 200 PARTS TO BE BULK PACKED IN BAGS.



ADD PACKAGING NOTE
 EC NO. UCP2003-0129
 DRWN: SCHMIDCA 07/22/02
 CHK: MBANAKIS 07/23/02
 APPR: MBANAKIS 07/23/02

QUALITY SYMBOLS
 MAJOR
 CRITICAL

GENERAL TOLERANCES: (UNLESS SPECIFIED)		SCALE 8 : 1	DESIGN UNITS <input checked="" type="checkbox"/> mm <input type="checkbox"/> INCH	DIMENSIONS: <input type="checkbox"/> mm <input type="checkbox"/> INCH <input checked="" type="checkbox"/> mm ONLY		SHT	REV
4 PLACES	±0.	mm	INCH	THIRD ANGLE PROJECTION			REVISE ON CAD ONLY
3 PLACES	±0.			DRAWN BY & DATE SSAMPSON 98/04/08		TITLE: VHDCI M2 X 0.4 mm FEMALE ROUND SCREWLOCK	
2 PLACES	±0.13			CHECKED BY & DATE DBOWEN 98/04/08		MOLEX INCORPORATED	
1 PLACE	±0.			APPROVED BY & DATE DBOWEN 98/04/08		MATERIAL NO. 71433-0002 DRAWING NO. SD-71433-005 SHEET NO. 1 OF 1	
ANGULAR: ± 1/2°		CAD FILENAME NONE.		THIS DRAWING CONTAINS INFORMATION THAT IS PROPRIETARY TO MOLEX INCORPORATED AND SHOULD NOT BE USED WITHOUT WRITTEN PERMISSION.		SIZE B	

DRAFT WHERE APPLICABLE MUST REMAIN WITHIN DIMENSIONS

B

REV